

# Single Room UFH Control Pack

## Product Range

UFHC 980 020

Single Room UFH Control Pack

## Materials

Valve body:

Gunmetal

Seals:

PTFE

O-Rings:

Silicone rubber

Spring:

Stainless steel

## Specifications

Max static pressure

10 bar

Max temperature

90°C

Adjustable control range

35°C - 65°C

Factory pre-set

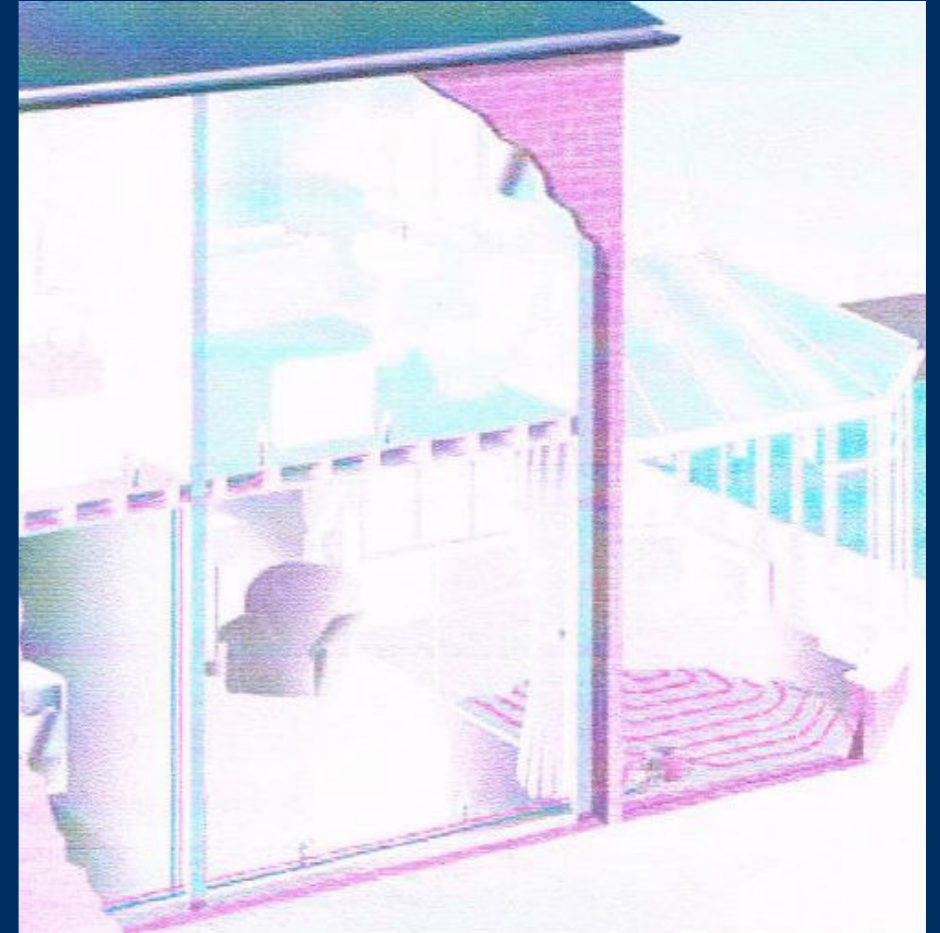
35°C (minimum)

Connection sizes

15,, compression (inlet) ½" FBSP (outlets and return)

Floor area

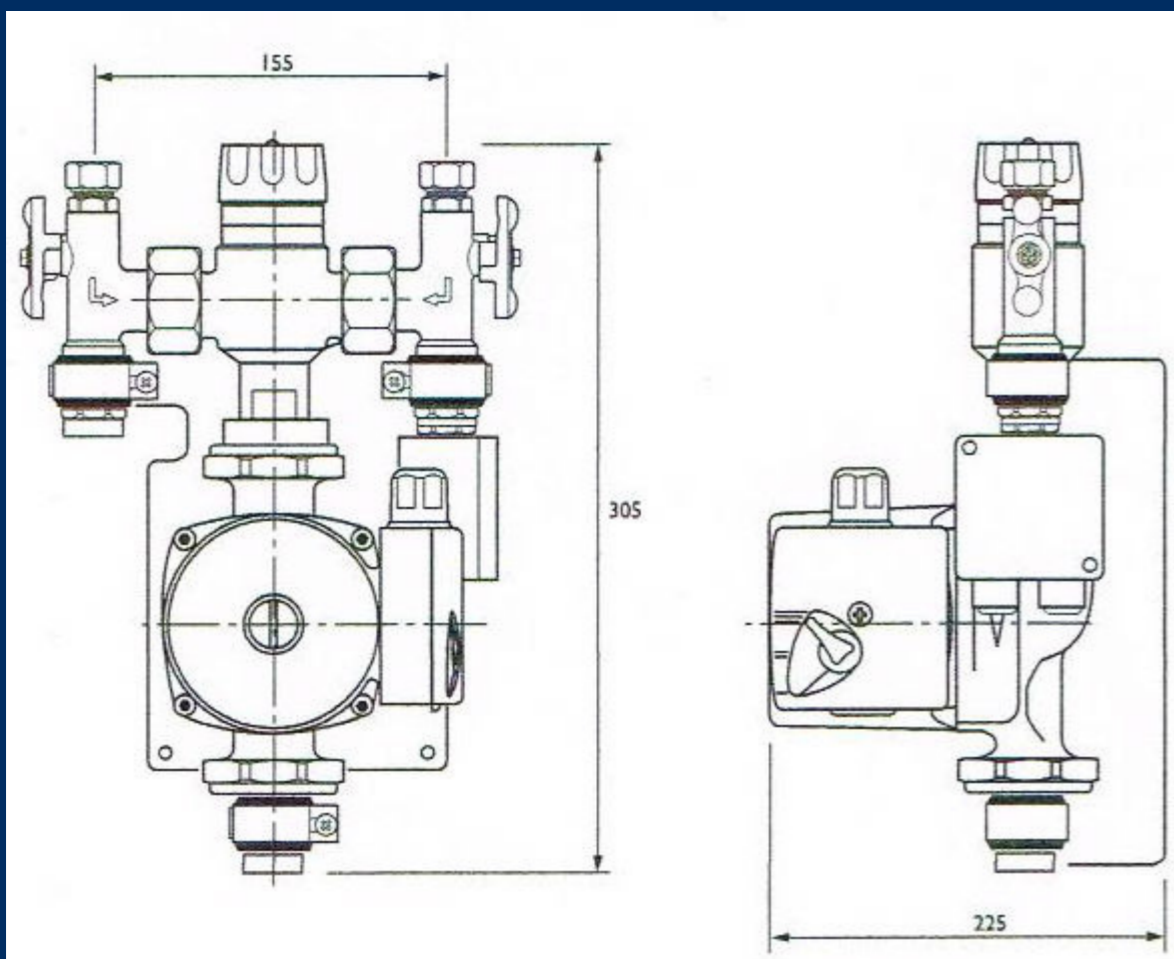
40m<sup>2</sup>



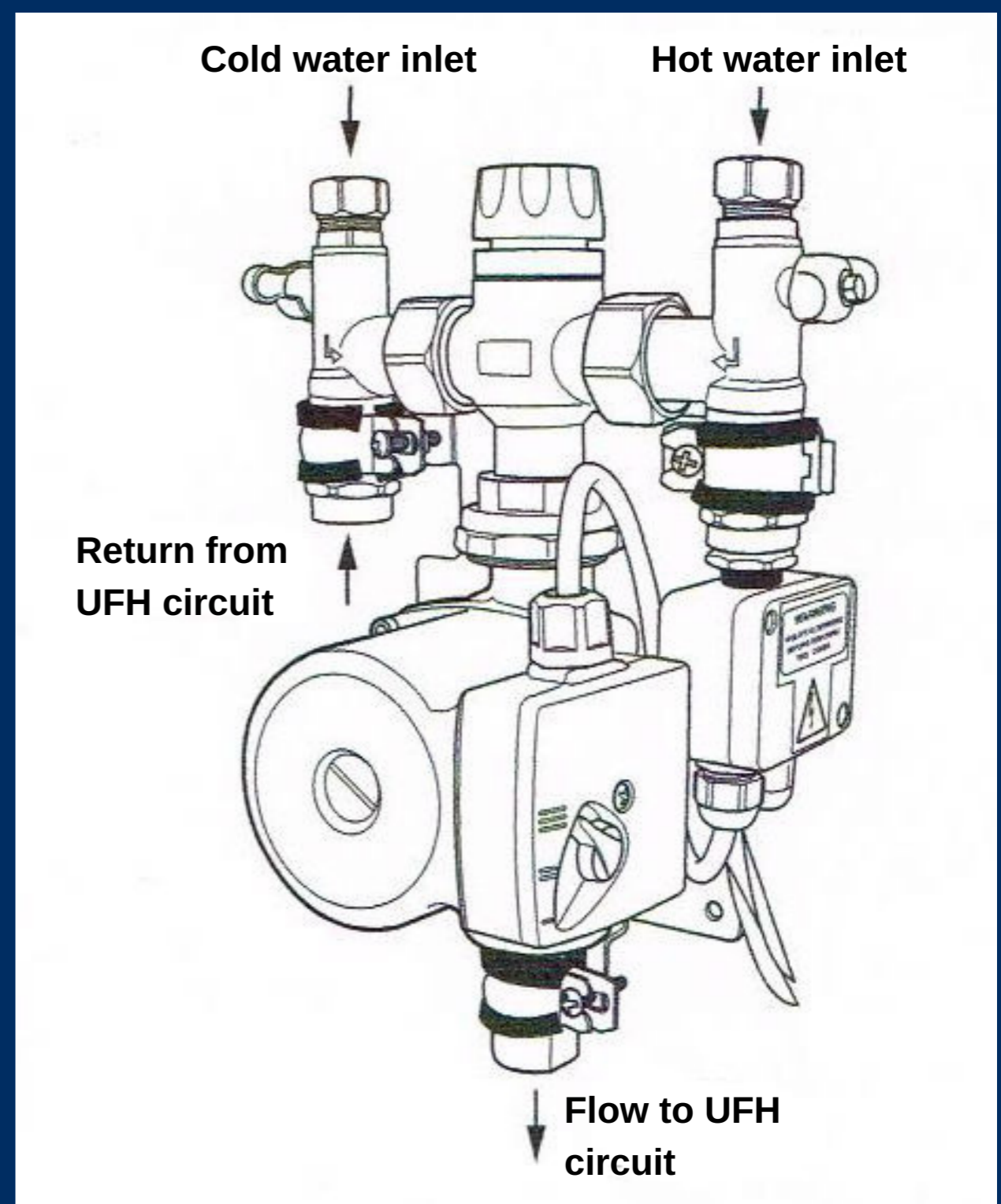
## Flow Performance



## Dimensions



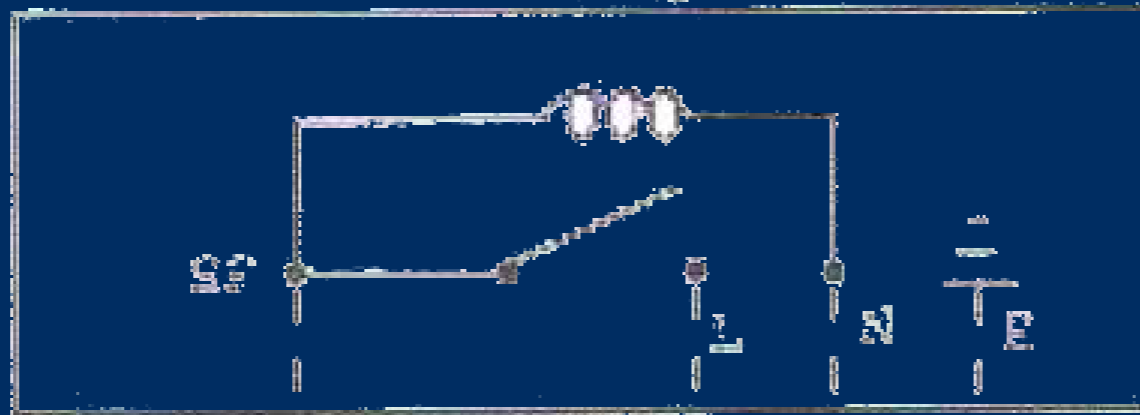
## Connection layout



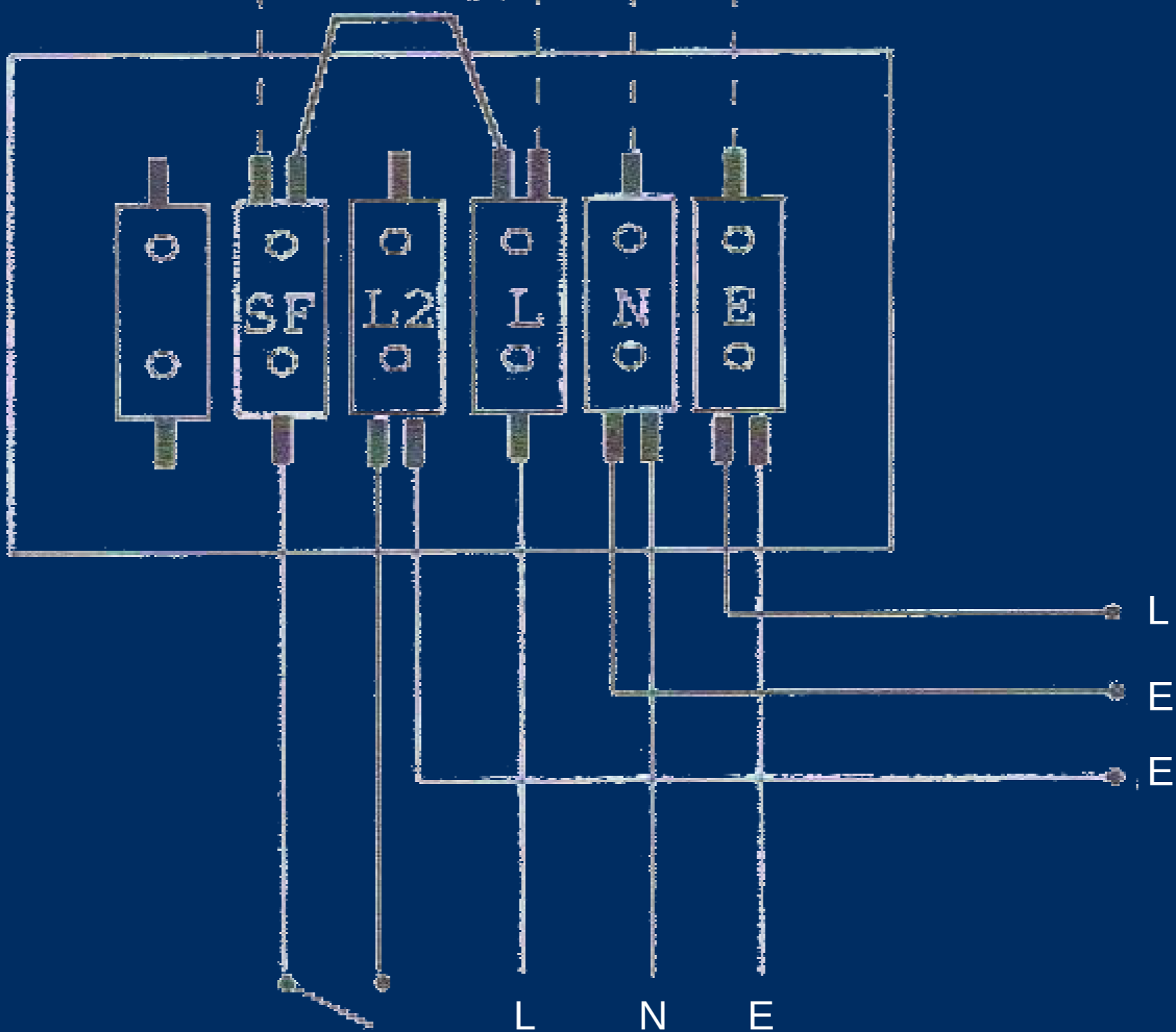
# Single Room UFH Control Pack

## Continued

Room stat {example} - not supplied



Remove link  
if room stat  
is fitted



Union Nut

Boiler Feed Stat Mains  
42°C close (Fused spur)  
31°C open 3 Amp